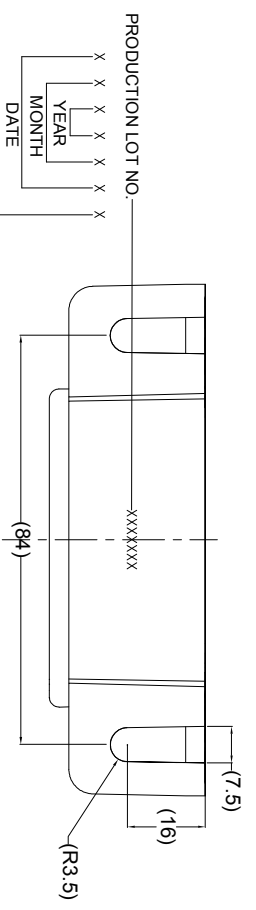
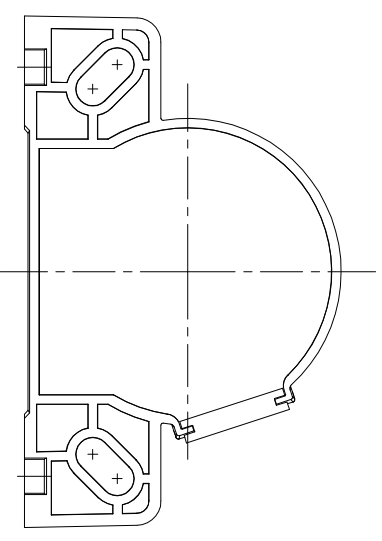
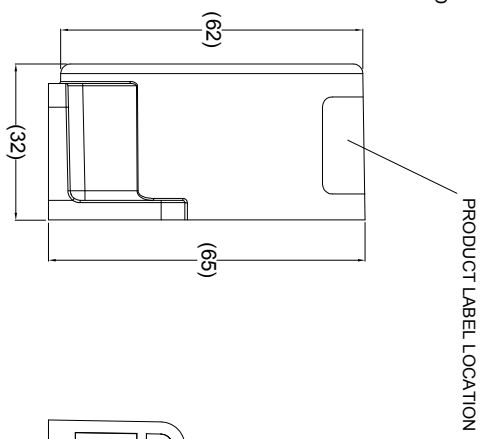
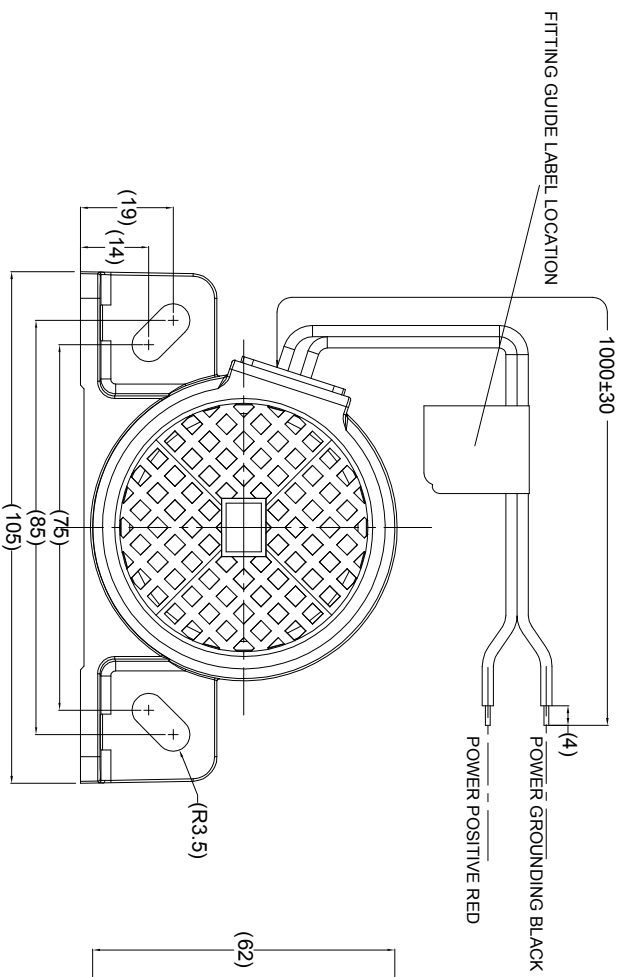


Revision Notes			
R1 - NOTES UPDATED TO INCLUDE LABEL DETAILS. STANDARDS UPDATED AS PER ECR CR-A27L.			
APPA-KIDA	Drawn/RBATES	Checked/GPLITH	Approved/GPLITH
			Date: 28/08/14



E= EUROPE
U= USA
A= AUSTRALIA

SPECIFICATION:

1. RATED VOLTAGE: 12 AND 24 VOLT DIRECT CURRENT (WORKING VOLTAGE RANGE 9-32 VOLTS)
2. RATED CURRENT: 0.2 AMPERES OR LESS.
3. SOUND PRESSURE: 82±4 DECIBELS AT TEST VOLTAGE OF 14 AND 28 VOLTS (AS MEASURED AT DISTANCE OF 1.2M AND AT HEIGHT OF 1.2M ABOVE THE GROUND)
4. INTERMITTENCE: 80±10 CYCLES PER MINUTE AT TEST VOLTAGE OF 14 AND 28 VOLTS.
5. TONE: WHITE SOUND(BBS).
6. ENVIRONMENTAL: SUBJECT TO SAE J994.

NOTES:

1. FOR PRODUCT LABEL REFER TO LATEST REVISION OF DRAWING: BE-002833-XX-14.
2. FOR GIFTBOX LABEL REFER TO LATEST REVISION OF DRAWING: BE-002834-XX-14.
3. "R TRIANGLE" INDICATES CHANGES MADE TO REVISION OF DRAWING AS INDICATED IN REVISION NOTES.



PROPRIETARY NOTICE
THIS DESIGN AND TECHNICAL INFORMATION APPEARING ON THIS DRAWING IS THE PROPERTY OF BRIGADE ELECTRONICS AND IS DISCLOSED IN CONFIDENCE. IT IS NOT TO BE COPIED, REPRODUCED, REVEALED TO OR EXPLOITED BY OTHERS, EITHER IN WHOLE OR IN PART WITHOUT THE EXPRESS WRITTEN CONSENT OF BRIGADE ELECTRONICS.

BRIGADE
www.brigade-electronics.com

Assembly PI Approval KILDA - 26/02/13		Approved by SMATTHEWS		Checked by GPLITH		Drawn by RBATES	
Angle of Projection Third Angle		Units mm		Scale N/A		Released 27/02/13	
Status RELEASED		Part No 0896B		BBS-82		Assembly Ref -	
		BE-002318-01-13					